

ALUMINIUM FORMWORK SYSTEM

Surya Engineering is manufacturer of aluminium formwork and providing innovative concrete formwork solutions in commercial, residential, and civil construction sector fulfilled with environment-friendly philosophy.



OUR CLIENTS



Contact Us:

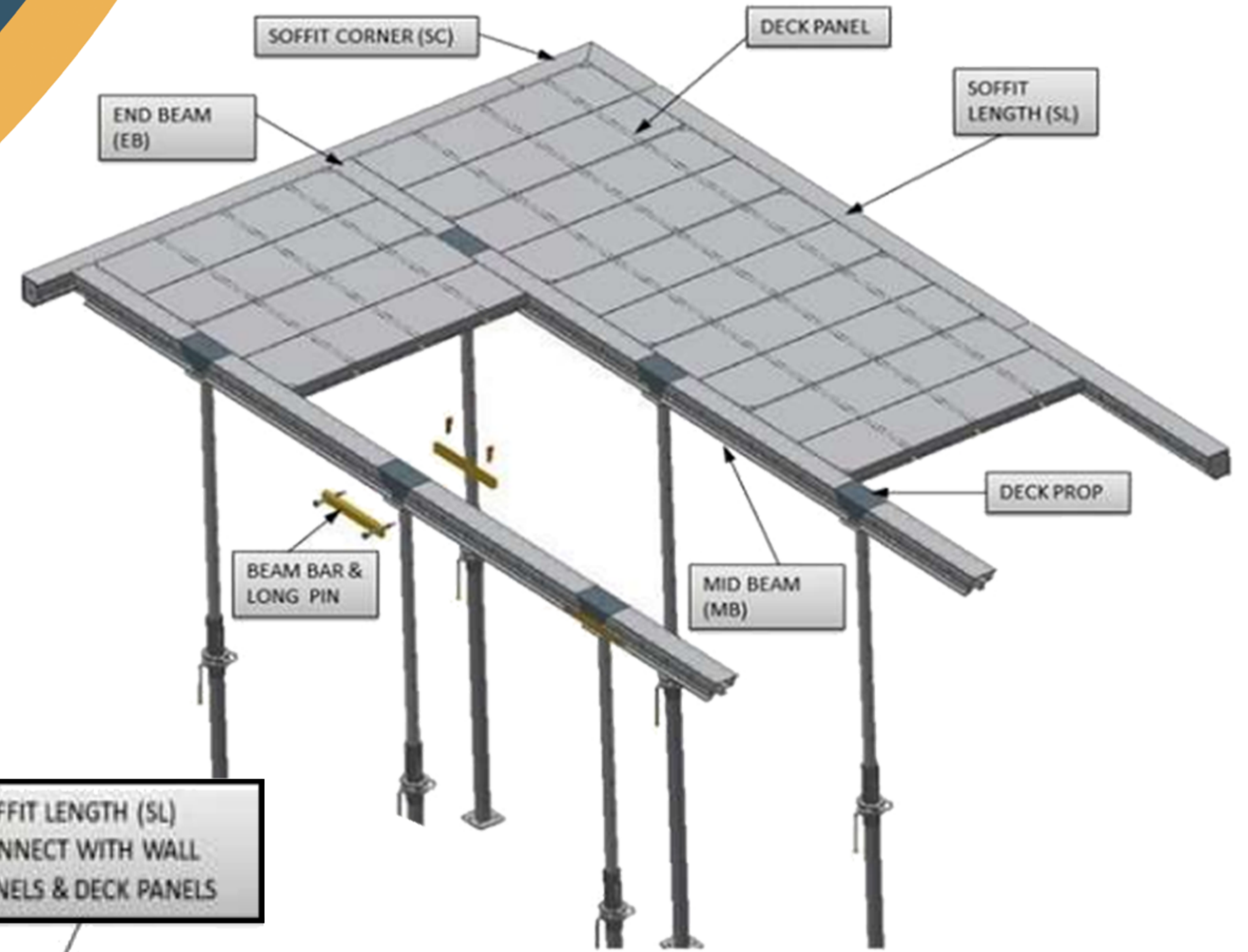


+91 9223446390
+91 8108446390

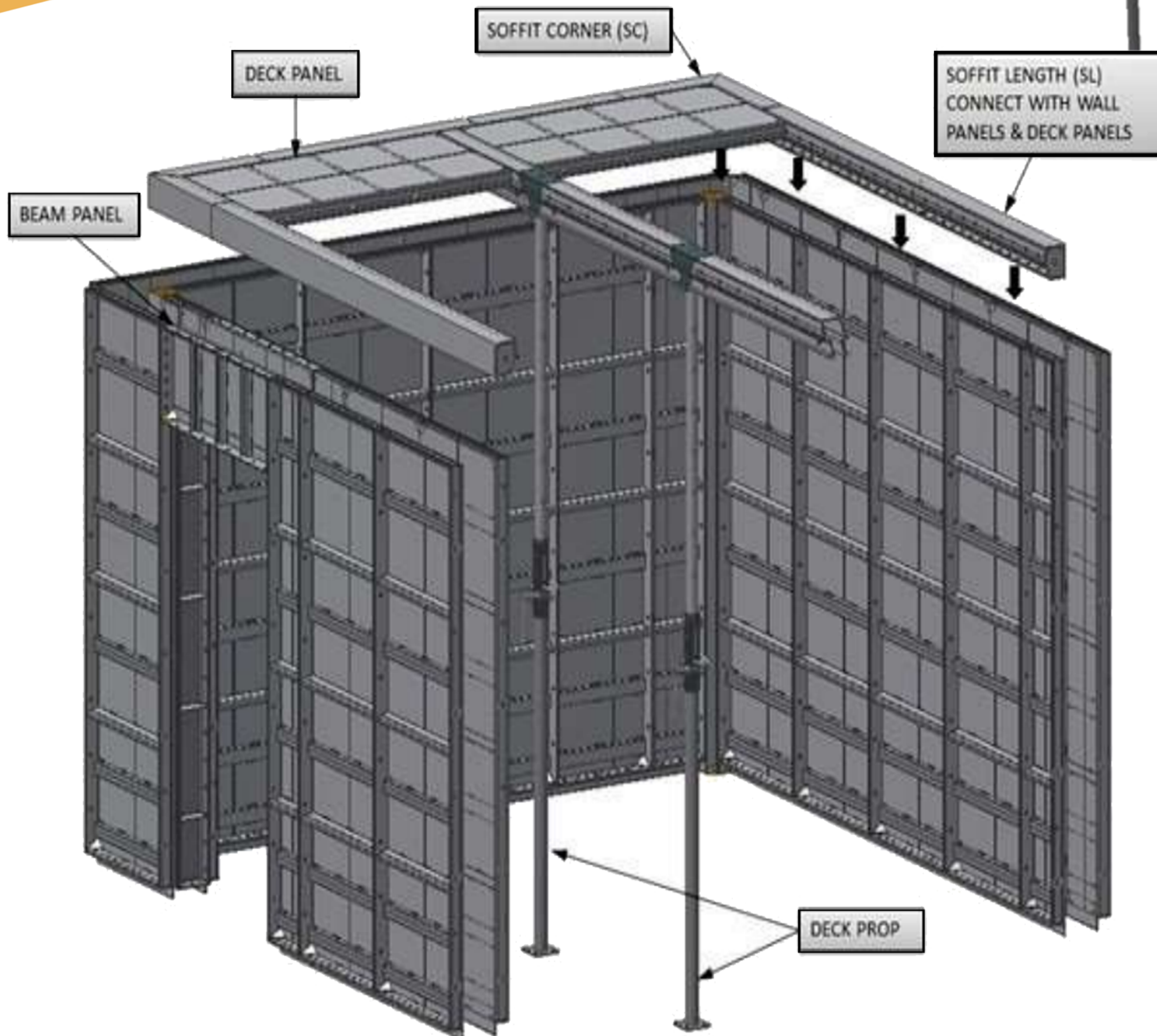


surya.engineers2000@gmail.com
<https://suryaengineering.net>

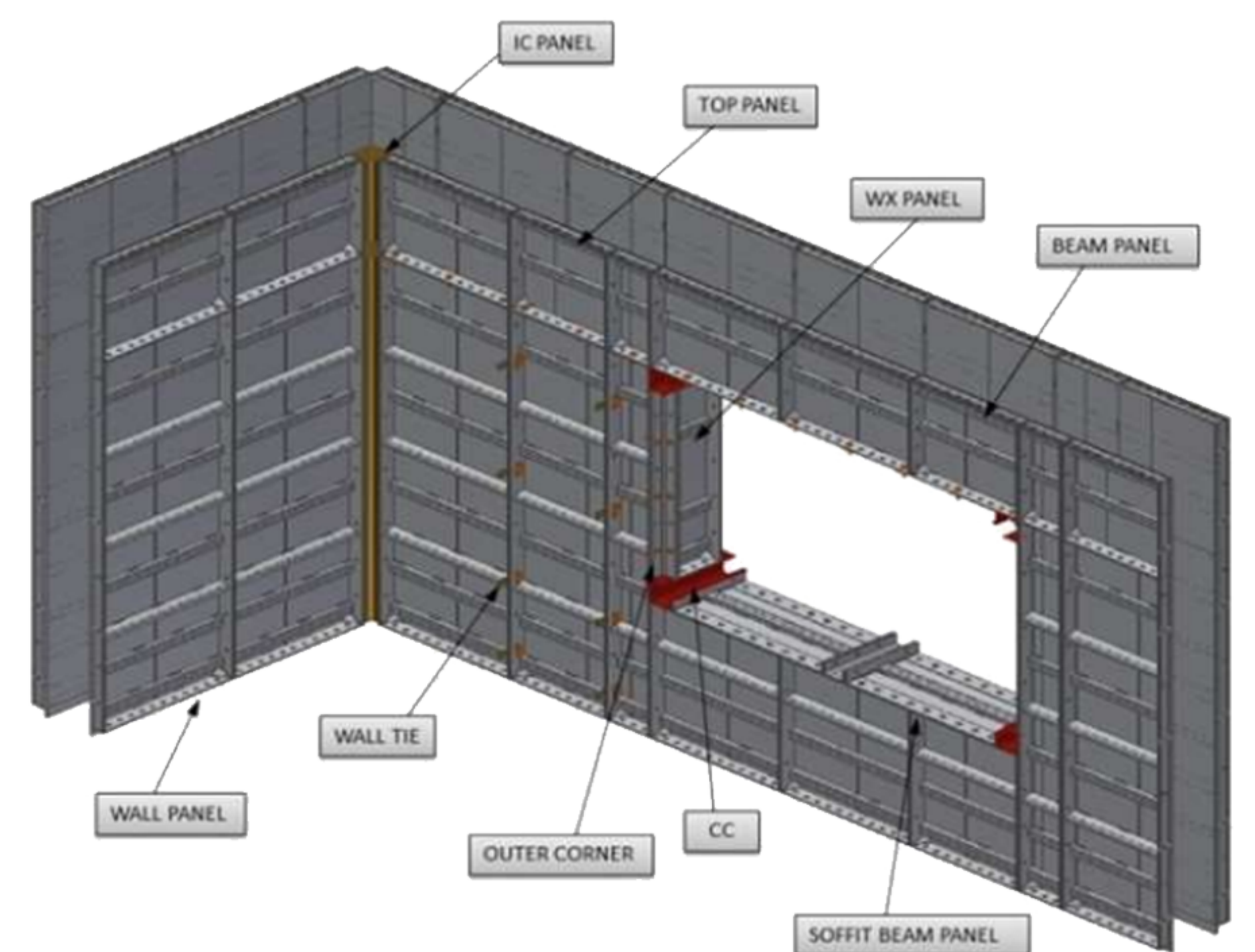
SLAB



SLAB & WALL



WALL



ADVANTAGES

- 01. Light weight, high strength Panels** – All panels are made with high strength aluminum alloy 6061 T6 profiles, which comes with specially coated Lacquer to enhance the panel life.
- 02. Durability** – A high strength material allows to yield its repetitive use more than 100 times, result in decreasing construction cost compared to conventional formwork.
- 03. Construction Speed** – Due to easiness in assembly, and typically supplied with a minimum two sets of Props, 4 days cycle time can be achieved, compared to conventional formwork, which takes 7 to 15 days.
- 04. Construction quality** – Due to clean surface and dimensionally accurate panels, requirement for plastering or remedial work is minimal after concrete casting.
- 05. Safety** – Edge protection is an integral part of the system to ensure an accident free safe working environment at site.
- 06. Versatile, all in one system** – The Surya-designed formwork system can be used for all kinds of building elements, such as Walls, Columns, Lift shaft, Slab, Beams, Stairs and Balconies.
- 07. No need for skilled worker** – Due to elaborate assembly drawing provided with the system, it does not require skilled labors, in compare to conventional wood/ply-based system, where you need carpenter.
- 08. Environmentally friendly & Residual Value of system** – Aluminum can be recycled and It gives back almost 40 to 50 percent of material cost, after useful life of the system. Waste generated with the system use is practically nil.
- 09. Technical Support** – Best technical support is provided; post system sells to make sure that client success is achieved.
- 10. Spare parts availability** – We keep a ready stock of the required spare parts (wedge & Pin, Tie Plate, Tie Puller, working platform etc.) for the system functioning at a very reasonable price to ensure smooth functioning at client site.



Wall Panel

Classification Contents

Material	Aluminum Grade-6061 T6
Wall Panel	
Basic Panel	600(w) x 2050, 2400 Long 450(w) x 2050, 2400 Long 300(w) x 2050, 2400 Long
Accessories	Stub Pin, Steel Wedges, Wall Ties, Sleeves



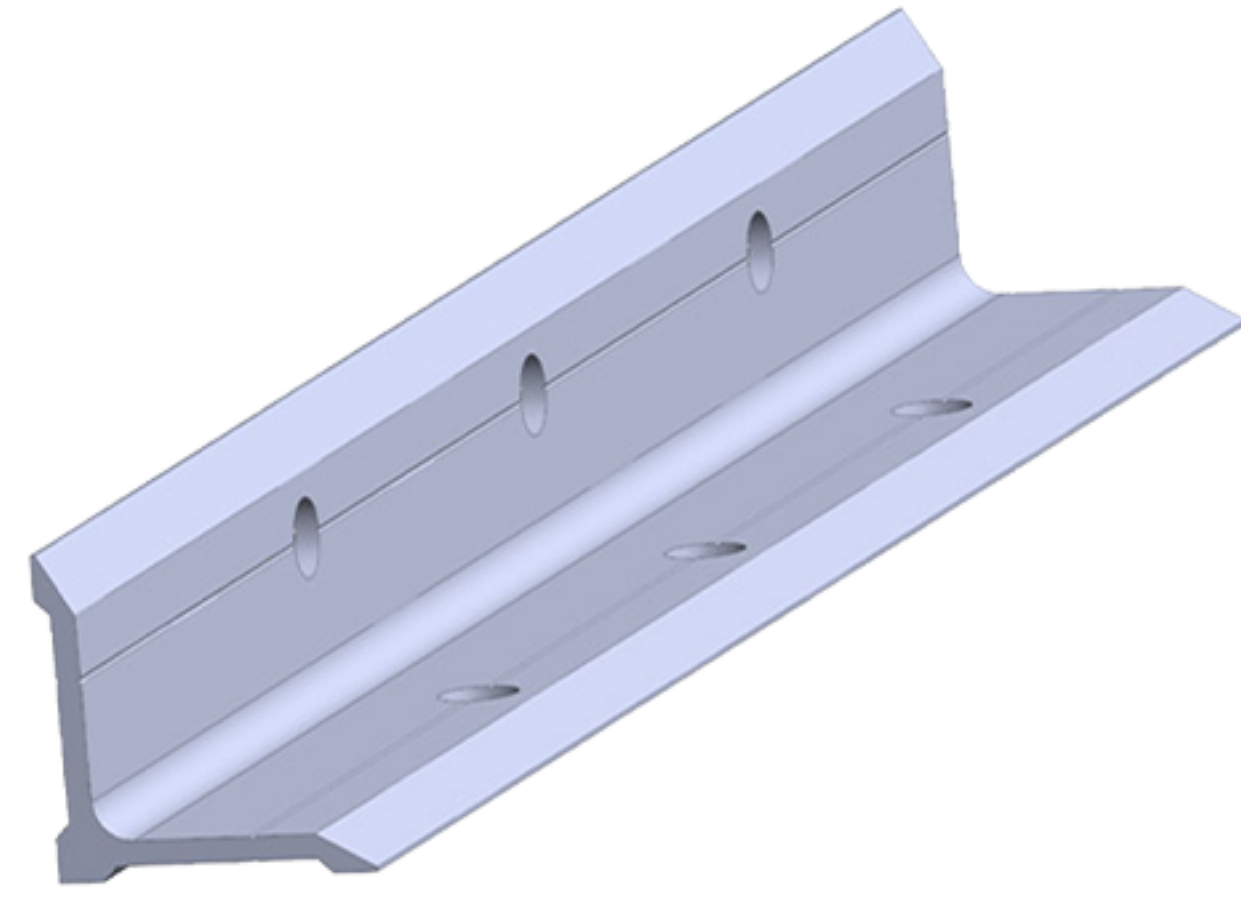
Wall End Panel



IN – CORNER (IC)



Kicker Panel



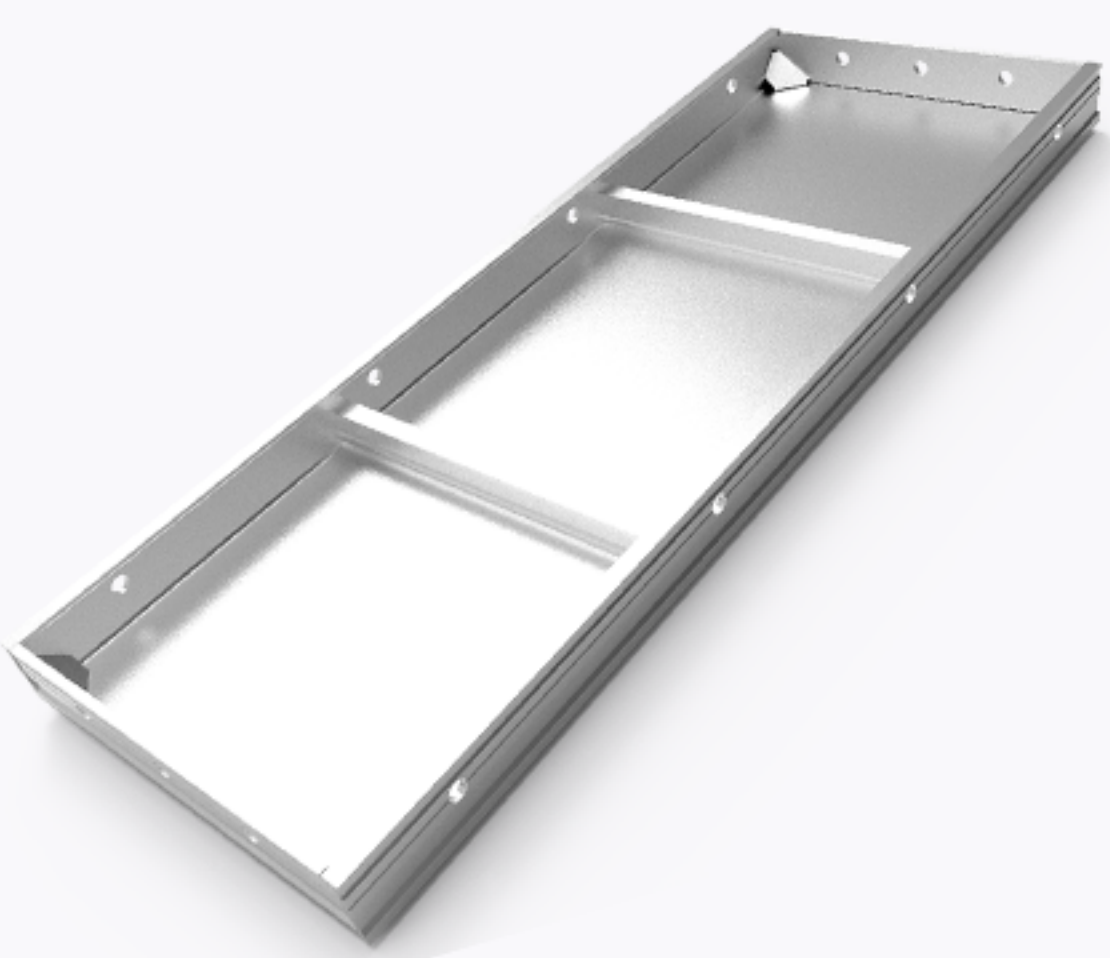
External Corner



Beam Panel



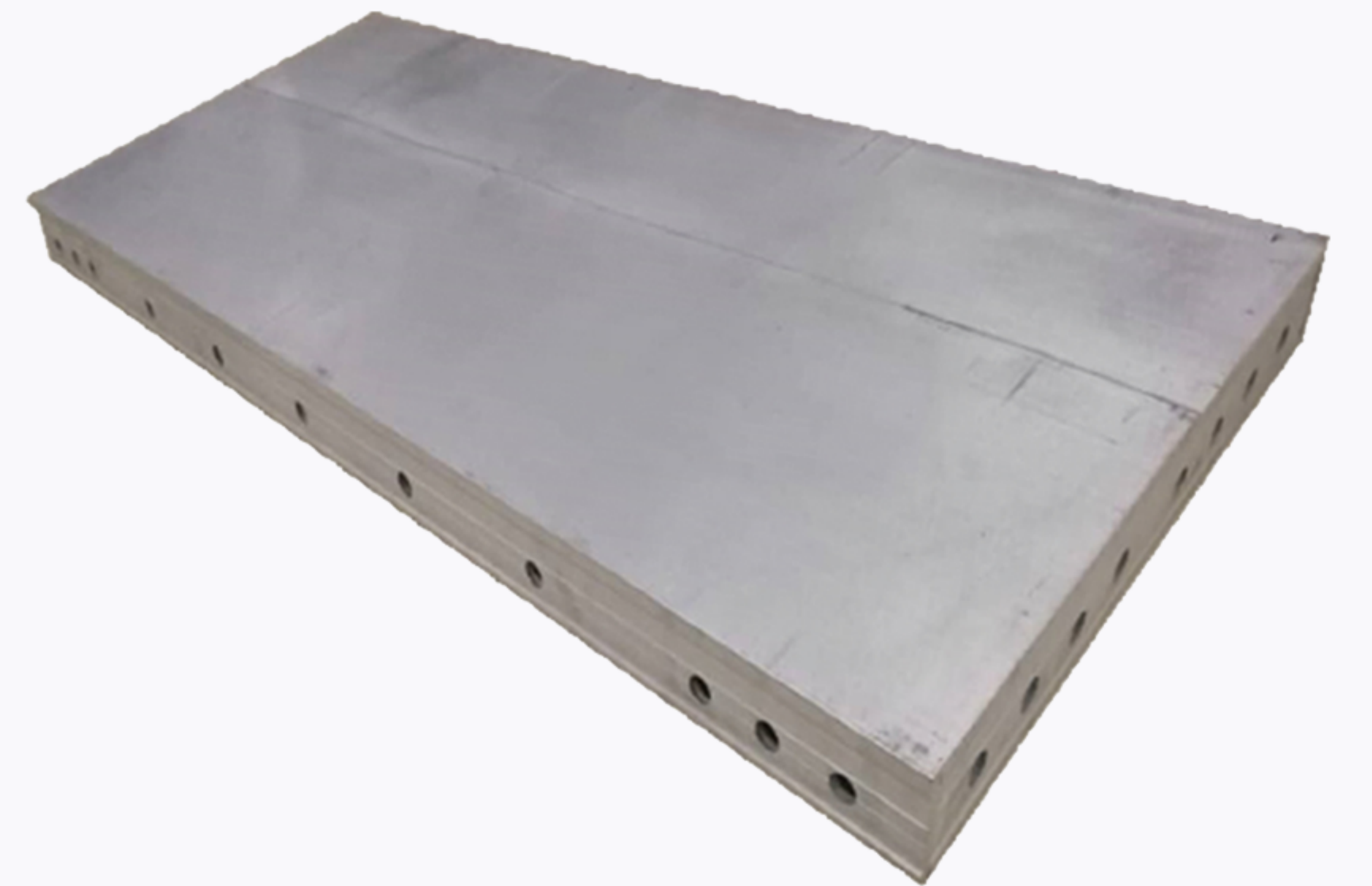
Rocker



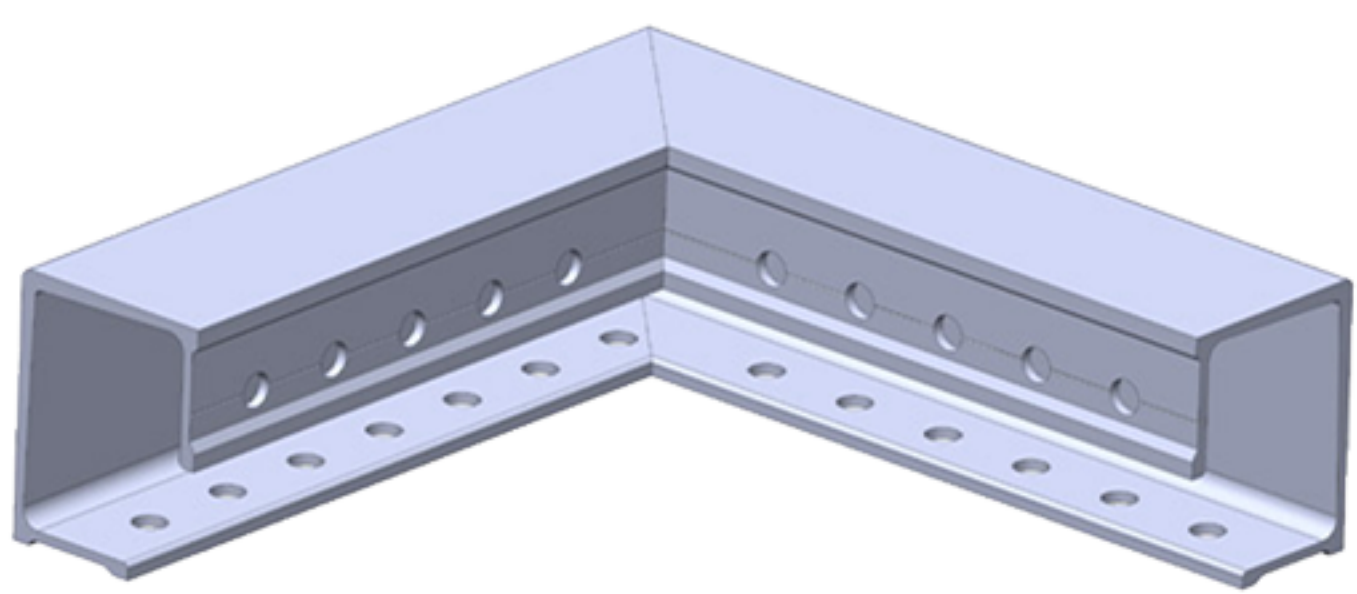
Deck Panel

Classification Contents

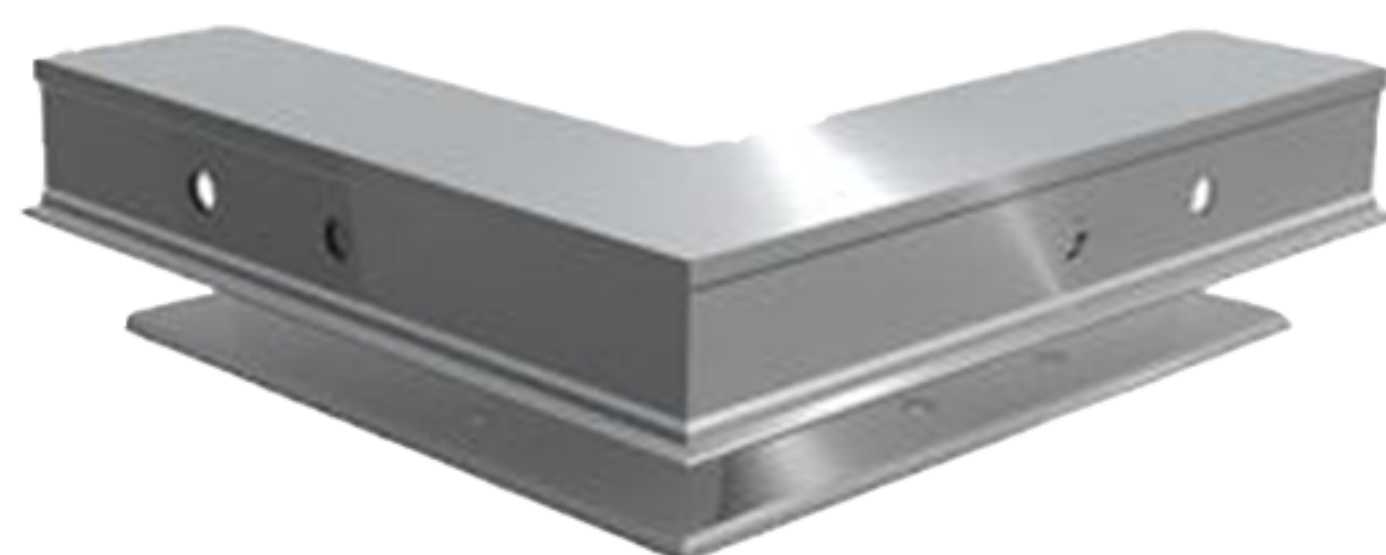
Material	Aluminum Grade-6061 T6
Deck Panel	
Basic Panel	600(w) x 1200, 1100, 1000 Long 450(w) x 1200, 1100, 1000 Long
Accessories	Stub Pin, Steel Wedges, Prop Head, Props, Slab Soffit



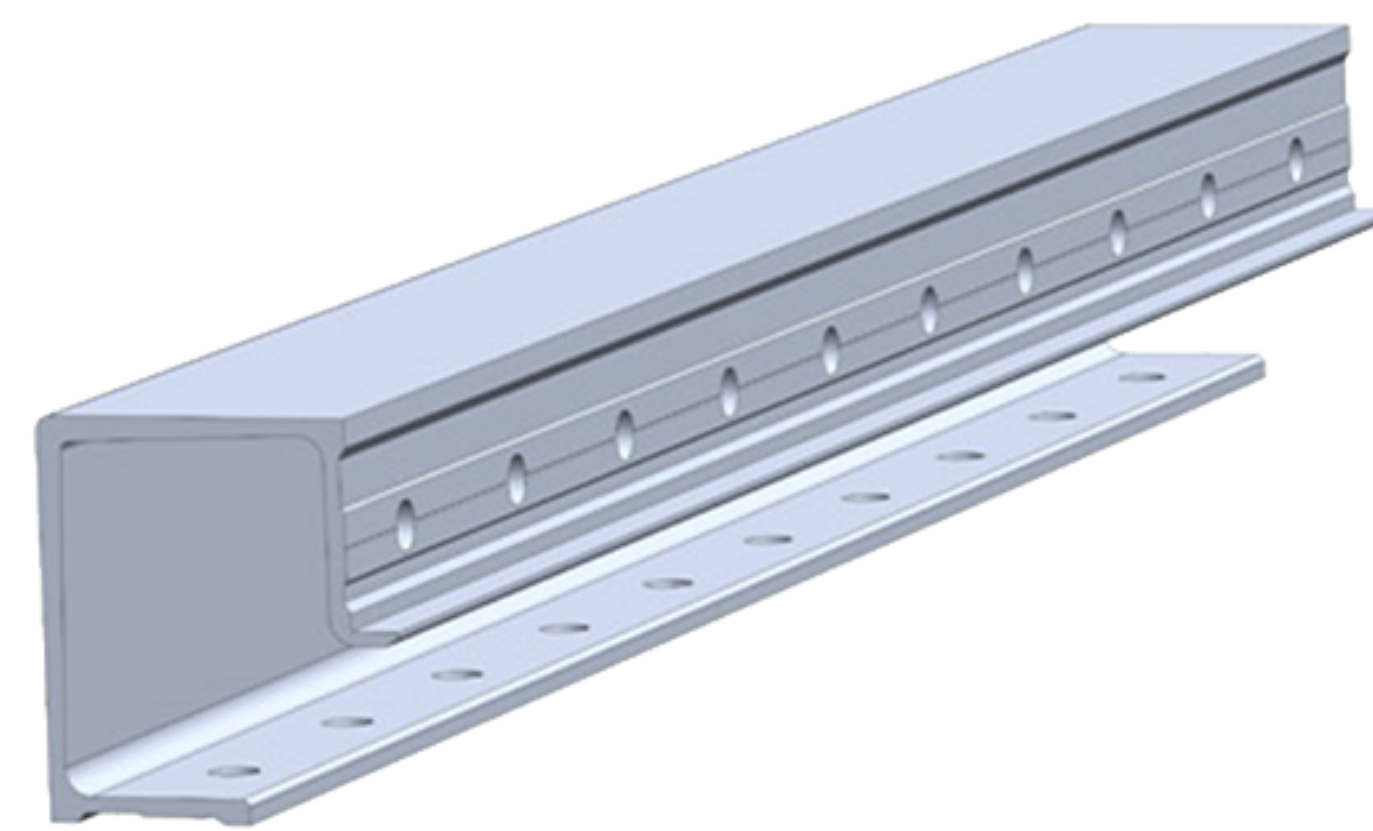
Beam Soffit Panel (BSP)



Slab in Corner



Slab Outer Corner



Slab Length (SL)



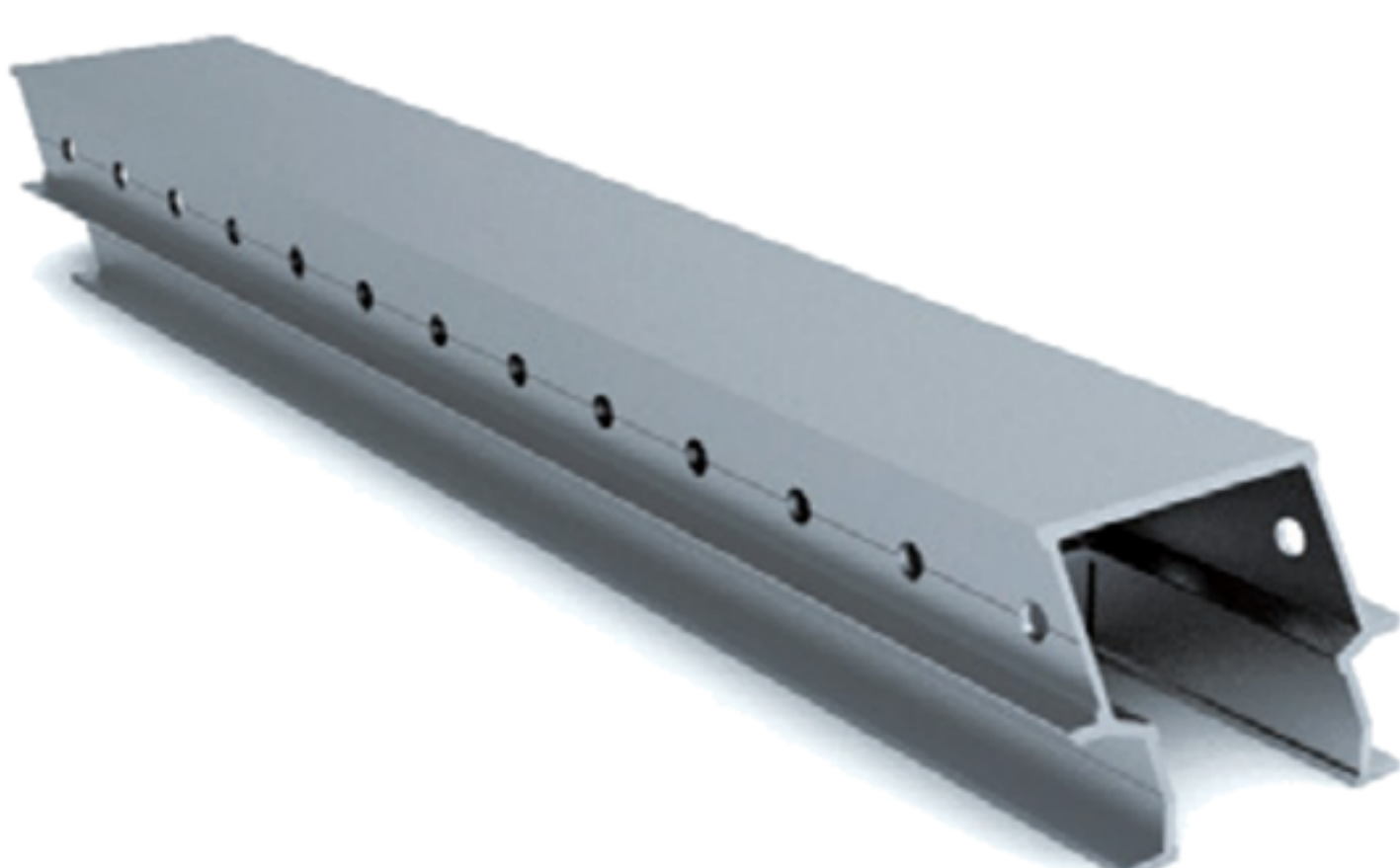
Beam Slab Length



Prop Head (PH)



End Beam (EB)



Middle Beam (MB)



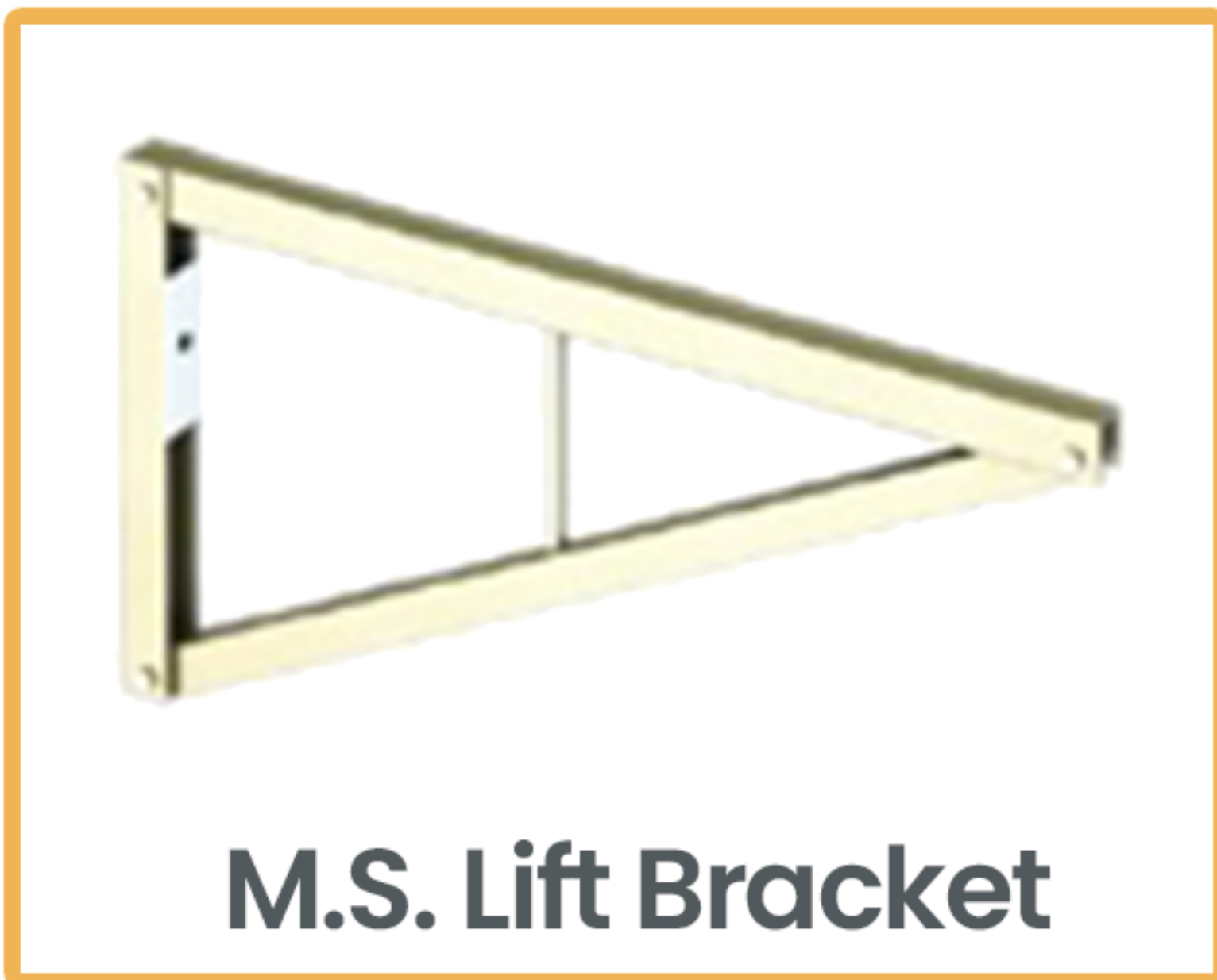
Beam BAR



M.S. (Props) Support



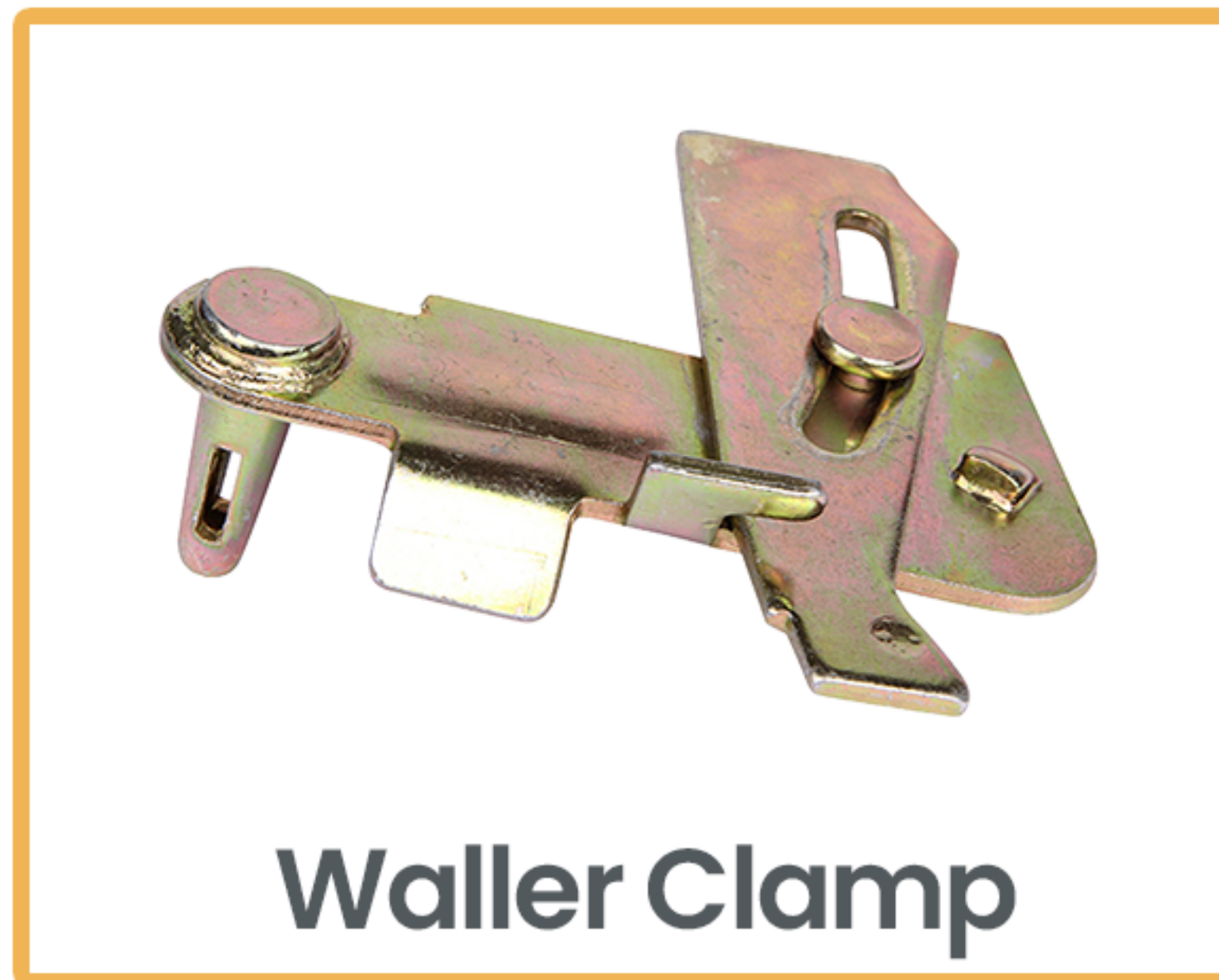
M.S Wall Bracket



M.S. Lift Bracket



M.S Slab Bracket



Waller Clamp



Alignment Clamp



Stub Pins



Steel Wedge



Steel Wedges Hole & Embossed



Long Pin



Wall Ties



P. P. Sheet



Polythene Tubing



PVC Sleeve

Comparison of Various construction methods

Characteristics	Traditional wood Formwork System	Steel based Formwork System	Surya Aluminum Formwork System
Crane requirement	Not Required	Required	Not Required
Skilled labor	Required	Not Required	Not Required
Residual scrap value	Nil	15%	40 to 50%
System Repetition	5 to 8 times	30 to 50 repetition	>100 repetition
Cost per repetition	High	Moderate	Low
Suitable for high rise	Not suitable	Suitable	Highly suitable
Waste generation	Huge	Low	Nil



BKS



Water Drip Mould



Alu Rail Patti



Kicker Bolt 16*80



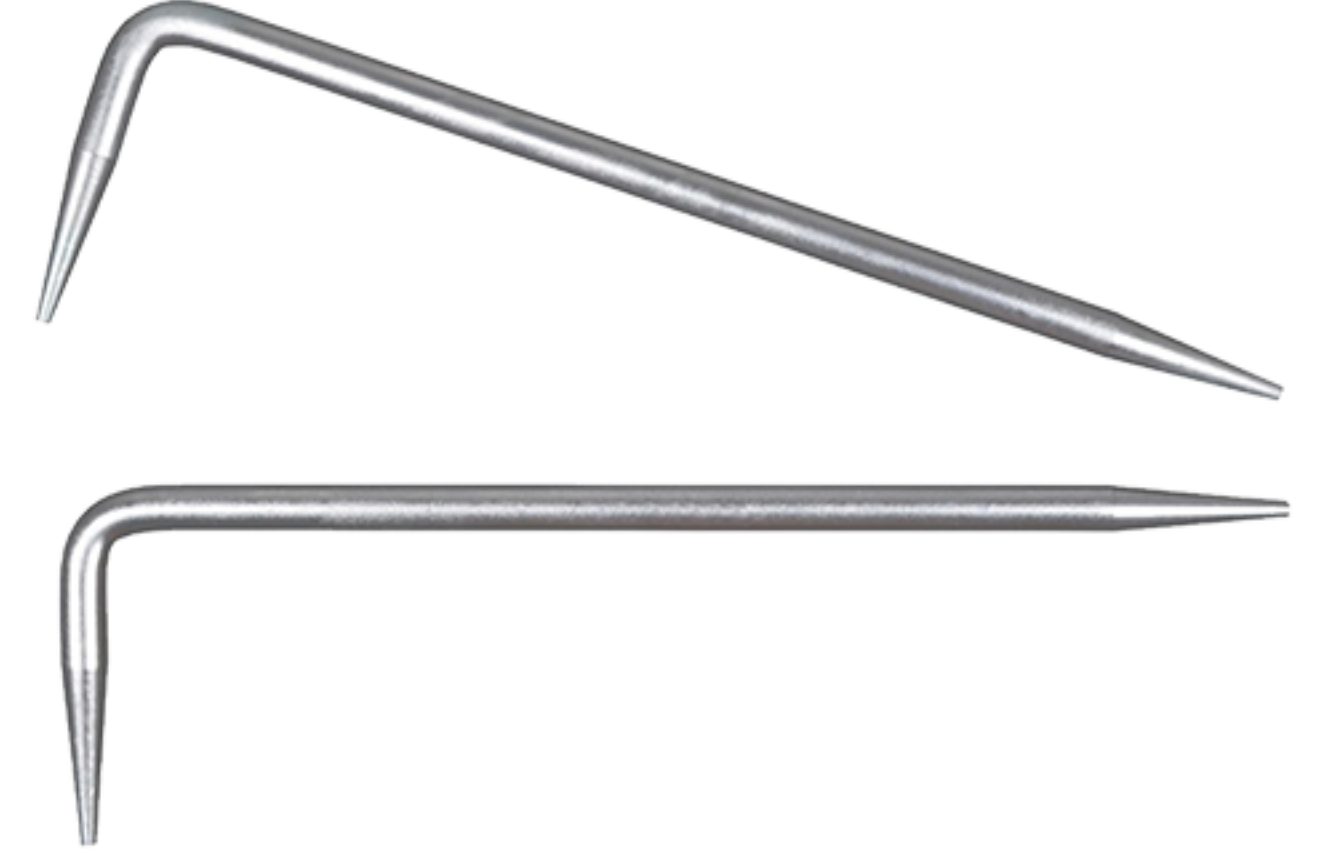
Kicker Bolt 16*30



Hex Nut



Spring Washer



Hole Bari



Tie Puller



Panel Puller



Turn Buckle



PVC Sleeve Ejector

